

HYDROPRO ULTRAVIOLET

HYDROPRO ULTRAVIOLET is a UV sterilizer is the most environmental protection, effective, safety and economical way to kill all bacteria, viruses, yeast, mold and algae, without adding any chemicals, so it takes no harm to human body and environment. It is recommended that the water does not exceed following maximum concentration levels:

- | | | | |
|---------------------------|----------------------|--------------------|----------------------|
| • Iron | < 0.3 mg/L(0.3ppm) | • Manganese | < 0.05 mg/L(0.05ppm) |
| • Hydrogen Sulphide | < 0.05 mg/L(0.05ppm) | • Hardness | < 7 gpg |
| • Total Suspending Solids | < 10 mg/L (10ppm) | • UV Transmittance | > 75% |
| • Turbidity | < 1 NTU | | |

SIZING

- HUV-L02, Flowrate: 2GPM (30mj/cm²)
- HUV-L06, Flowrate: 6GPM (30mj/cm²)

INSTALLATION TIPS

The UV Sterilizer is on and in operation when the power is switched on and the green light on the ballast is illuminated. A problematic lamp will be indicated by the red light on the ballast illuminating and by a buzzing sound being emitted from the ballast.

APPLICATION

- Food and beverage
- Hospital
- Breweries
- Swimming pool
- Spa
- Water treatment plants
- Drinking water
- Industrial and municipal wastewater
- Fish farms
- Aquaculture
- Pharmaceutical industry

FUNCTION

- Mechanical polished 304 stainless steel chamber
- 9000 hour lamp life span
- Low power consumption.
- Ballast power indicator light.
- Audible Lamp Failure.
- Running Time Meter.
- UV inten

OPERATION TIPS

If your water chemistry has a higher concentration of leaves it is advisable to undergo appropriate pre-treatment to address these water issues before installing your UV disinfection system. Ensuring proper pre-treatment is crucial to ensure the UV disinfection system functions effectively as intended.



HYDROPRO

ULTRAVIOLET

SPECIFICATIONS

| FLOW RATE | HUV-L02 | HUV-L06 |
|---|----------|----------|
| @16mj/cm ² (US Public Health Standard) | 3.3GPM | 11GPM |
| @30mj/cm ² (Industry/ Manufacturers Standard) | 2GPM | 6GPM |
| @40mj/cm ² (NSF Standard) | 1.5GPM | 4.5GPM |
| UV Lamp | 1*14W | 1*21W |
| Dimension | Length | 352mm |
| | Width | 50.8mm |
| | Height | 76.8mm |
| Inlet/Outlet | NPT 3/4" | NPT 3/4" |
| Visual "Power-On" | Yes | Yes |
| Audible Lamp Failure | Yes | Yes |
| Housing Material ** | SS304 | SS304 |

* All the specifications are subject to change without notice.

PARTS BREAKDOWN

| No. | Part Name | Quantity |
|-----|----------------------|----------|
| 1 | Waterproof Connector | 1 |
| 2 | Lamp Connector | 1 |
| 3 | Plastic nut | 1 |
| 4 | O-Ring | 1 |
| 5 | UV Lamp | 1 |
| 6 | Quartz Sleeve | 1 |
| 7 | Housing | 1 |
| 8 | Bracket | 2 |
| 9 | Ballast | 1 |
| 10 | Spring * | 1 |

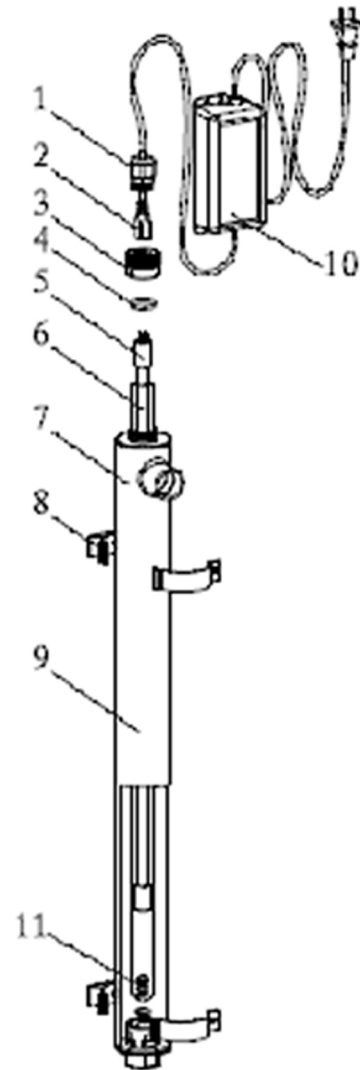
*** For vertical installation only, put the spring into the quartz sleeve before lamp installation.

WORKING CONDITION

- Water temperature : 5°C - 40°C
- Ambient temperature : -5°C - 40°C
- Ambient humidity : ≤93%
- Maximum operating pressure : 100PSI

WARRANTY

HYDROPRO UV comes with a one-year warranty, guaranteeing it against any manufacturing defects in workmanship and materials for a specified period from the date of the original invoice to the buyer. This warranty is applicable when the product is used as per the guidelines outlined in the installation, operating, and maintenance instruction manual and as legally implied.



HYDROPRO