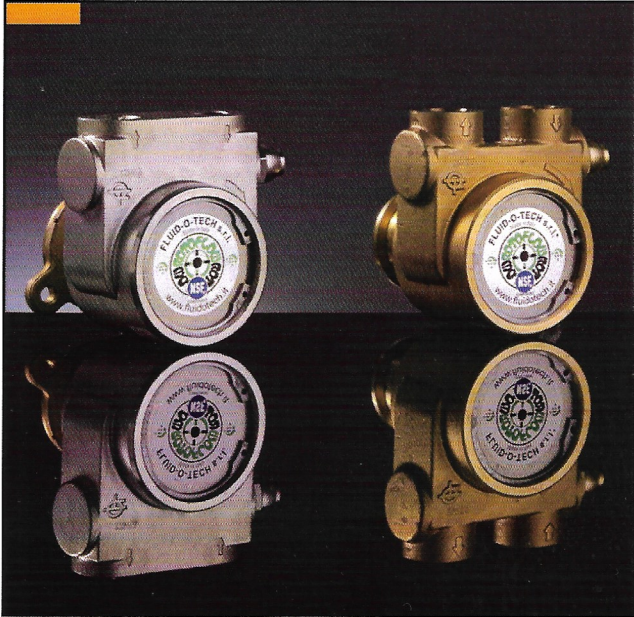


Fluid-o-Tech high volume rotary vane pumps



rotor, while the pumping chamber and the vanes are in graphitic carbon. Inlet and outlet ports are 1/2" NPT/GAS female threaded and the pump is equipped with a built-in adjustable by-pass valve. The pump can be connected to coupling direct motor with a metallic clamp or to M71 and M80 UNELMEC frame motors with the Fluid-o-Tech coupling and adapter set.

Maximum operative temperature: 70 °C (158 °F)

Available upon request:

- Viton®/EPDM seals (suffix - V/E)
 - NSF listed pumps for potable water.
- In this case the prefix for each model is PA instead of PO

The high volume rotary vane pumps manufactured by Fluid-o-Tech and sold worldwide under the trademark Rotoflow are available in six flow ratings to meet the needs of high volume pumping.

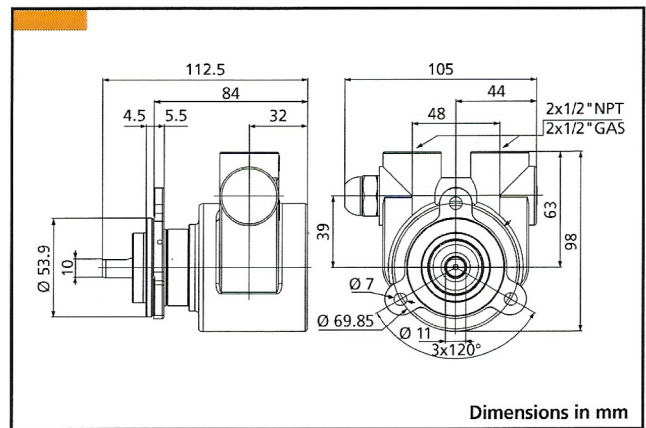
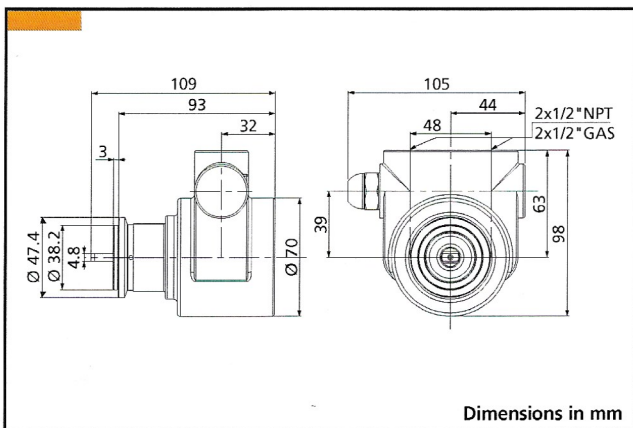
Technical features and manufacturing characteristics

The rotary vane pump with brass or stainless steel body utilizes a stainless steel AISI 303



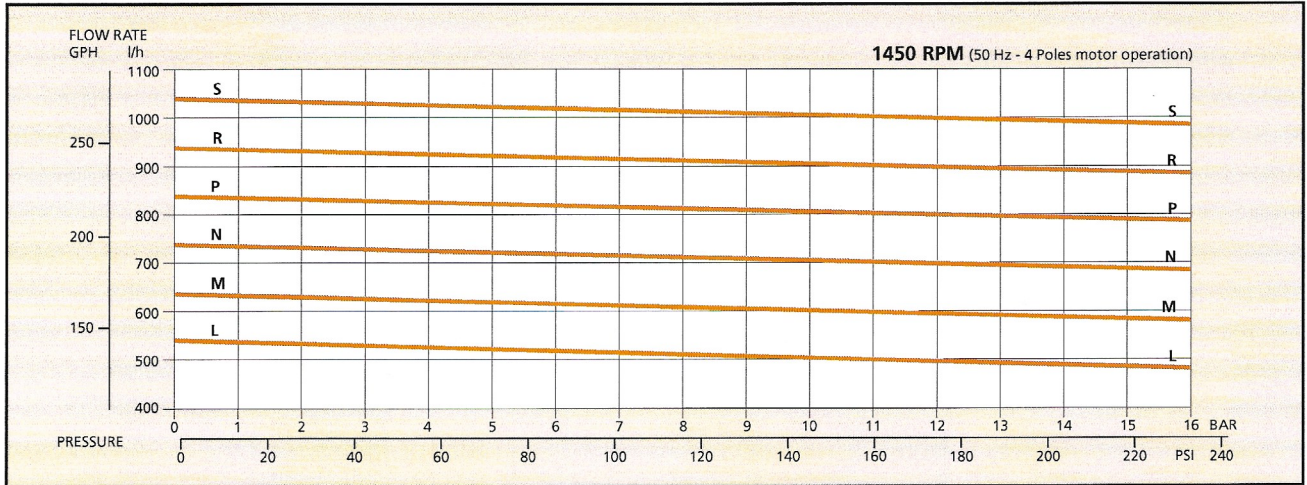
Main applications

- Post-mix drink dispensers
- Cooling and booster systems
- Fuel injection systems
- Reverse osmosis
- Ultra-filtration

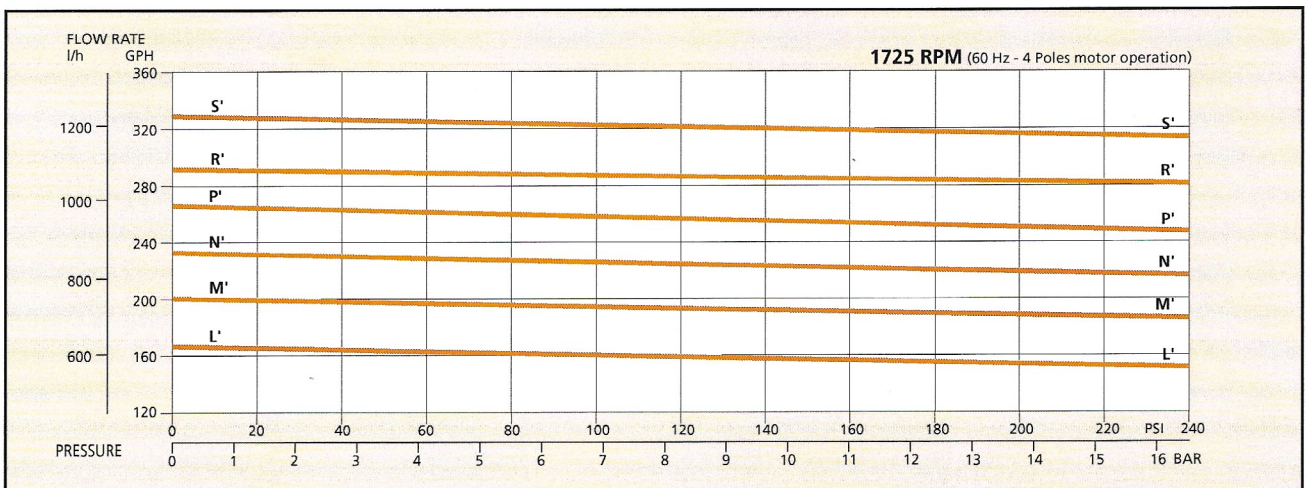


Fluid-o-Tech high volume rotary vane pumps

MODEL PO/PA Brass	500	501	500F	501F	600	601	600F	601F	700	701	700F	701F	800	801	800F	801F	900	901	900F	901F	1000	1001	1000F	1001F
MODEL PO/PA Stainless steel	510	511	510F	511F	610	611	610F	611F	710	711	710F	711F	810	811	810F	811F	910	911	910F	911F	1010	1011	1010F	1011F
l/h at 2 bar		540				640				740				840			940						1040	
l/h at 7 bar		520				620				720				820			920						1020	
l/h at 14 bar		497				597				697				797			897						997	
Figure		L-L				M-M				N-N				P-P			R-R						S-S	
By-Pass valve	NO	YES	NO	YES	NO	YES	NO	YES	NO	YES	NO	YES	NO	YES	NO	YES	NO	YES	NO	YES	NO	YES	NO	YES
Flange mount	NO	NO	YES	YES	NO	NO	YES	YES	NO	NO	YES	YES	NO	NO	YES	YES	NO	NO	YES	YES	NO	NO	YES	YES
Clamp mount	YES	YES	NO	NO	YES	YES	NO	NO	YES	YES	NO	NO	YES	YES	NO	NO	YES	YES	NO	NO	YES	YES	NO	NO



MODEL PO/PA Brass	500	501	500F	501F	600	601	600F	601F	700	701	700F	701F	800	801	800F	801F	900	901	900F	901F	1000	1001	1000F	1001F
MODEL PO/PA Stainless steel	510	511	510F	511F	610	611	610F	611F	710	711	710F	711F	810	811	810F	811F	910	911	910F	911F	1010	1011	1010F	1011F
GPH at 20 psi		170				201				232				264			295						327	
GPH at 100 psi		165				196				227				259			290						322	
GPH at 200 psi		159				190				221				253			284						316	
Figure		L'-L'				M'-M'				N'-N'				P'-P'			R'-R'						S'-S'	
By-Pass valve	NO	YES	NO	YES	NO	YES	NO	YES	NO	YES	NO	YES	NO	YES	NO	YES	NO	YES	NO	YES	NO	YES	NO	YES
Flange mount	NO	NO	YES	YES	NO	NO	YES	YES	NO	NO	YES	YES	NO	NO	YES	YES	NO	NO	YES	YES	NO	NO	YES	YES
Clamp mount	YES	YES	NO	NO	YES	YES	NO	NO	YES	YES	NO	NO	YES	YES	NO	NO	YES	YES	NO	NO	YES	YES	NO	NO



Characteristics at constant motor speed, with water at 68 °F and by-pass blocked - Figures of flow are averages - Pump weight: 1,9 kg (4,2 Lbs) clamp mount and 2 kg (4,4 Lbs) flange mount. For applications involving other fluids, high temperatures or unusual processing conditions, please consult the factory or an authorized Fluid-o-Tech distributor.

Fluid-o-Tech reserves the right to alter the specifications indicated in this catalogue at any time and without prior notice.

PO - HV - 12/08 Ed.

Fluid-o-Tech srl
Via Leonardo da Vinci, 40
20094 Corsico, Milano, Italy
Tel. +39 02 8917071
Fax +39 02 89170799

Fluid-o-Tech Int'l Inc.
161 Atwater St.,
Plantsville CT (USA) 06479
Tel. +1 (860) 276-9270
Fax +1 (860) 620-0193

Fluid-o-Tech Int'l Inc. Japan
203, 2-17-19, Ebara, Shinagawa
Tokyo 142-0063, Japan
Tel. +81 (0) (3) 3783-9660
Fax +81 (0) (3) 3783-9661

Fluid-o-Tech Asia (Beijing) Co., Ltd
Jingwei Industrial Zone,
Beifang Huairou, Beijing, 101400, PRC
Tel. +86 (0) (10) 61684650
Fax +86 (0) (10) 61684651